

## OWNER'S MANUAL

# Rigid Inflatable Boat

MODEL: **Eagle 5**

complete set:

deluxe version: Eagle 5L

sport version: Eagle 5S

Design category (2013/53/EU): C  
ISO6185: Category VIII

---

## CONTENTS:

DANGER LEVELS	5
INTRODUCTION	5
IDENTIFICATION PLATE	6
SAFETY REGULATIONS	7
BEAUFORT Wind Scale	8
Boat Design Categories	8
REMEMBER FIRE DANGER ALWAYS	9
TECHNICAL SPECIFICATIONS	10
COMPLETE SET	11
THE MAIN DIMENSIONS	13
BOAT DESIGN	15
HULL	17
REINFORCED BUOYANCY TUBE	18
MAST FOR NAVIGATION LIGHTS	19
STEERING CONSOLE DELUXE VERSION	19
STEERING CONSOLE SPORT VERSION	20
STEERING CONSOLE EQUIPMENT	21
FUEL SYSTEM	22
DRAIN SYSTEM	23
SHOWER KIT	25
WIRING DIAGRAM	26
PREPARATION FOR EXPLOITATION	27
INFLATION/DEFLATION BOAT TUBE	27
STORAGE BATTERY INSTALLATION	28
BOAT TRANSPORTATION BY TRAILER	28
HOW TO INSTALL SUNDECK	30
REBOARDING MEANS	31
CREW LIMIT	32
MOORING. STRONG POINT	33
ANCHORING AND TOWING. STONG POINT	34
MAINTENANCE	35
OPERATING REGULATIONS	36
WARNING SIGNS AND LABELS	41



For your safety and for the validity of the guarantee expert and authorised personnel must install the motor and inspect and check the systems. All onboard systems must be completed and inspected.

**CHECK, THAT THE CHECKS HAVE BEEN MADE AND THAT THE PLANTS HAVE BEEN COMPLETED BEFORE DELIVERY.**

BRIG Ltd declines any responsibility for systems and accessories that have not been installed and checked by expert and authorised personnel.



The manual and all its enclosures should be stored carefully, and the manual should always be kept aboard. If the craft is resold, the manual and all its enclosures must be handed over to the new owner.

## **CE Certification and Main Features**

The CE marking indicates that the inflatable boat meets the requirements of the Recreational Craft Directive 2013/53/EU

### **Certifying Body:**

**INTERNATIONAL MARINE CERTIFICATION INSTITUTE**

**Rue Abbe Cuypers 3 / B-1040 Bruxelles / Belgique**

**Notified Body : 0609**

**[www.imci.org](http://www.imci.org)**

### **Name of Manufacture:**

**BRIG Ltd.**

**Lozovskaya 88, Dergachy 62303**

**Kharkovskaya obl.**

**UKRAINE**

**[www.brig-ribs.com](http://www.brig-ribs.com)**

## DANGER LEVELS.

The manual contains warnings, identified as follows:



A note like this indicates that there is serious risk, that is likely to cause death or permanent serious injury, if appropriate precautions are not taken.



A note like this indicates the existence of risk that may cause death or injury, if appropriate precautions are not taken.



A note like this indicates reference to the application of safety or environmental protection practices, or draws attention to unsafe behaviour that might cause injury to persons or damage to the craft, its components or the environment.

## INTRODUCTION.

This manual was written to help you to use your boat safely. It contains information on the boat, its equipment (supplied or installed), operation and maintenance.



Before using your boat, read this MANUAL carefully and ensure that you have understood all the procedures it describes. Before taking command of your boat, be sure to have acquired experience and confidence in its operation.

## IDENTIFICATION PLATE.

Builder's Plate:

MODEL <b>Eagle5</b>	Type <b>VIII</b>	Boat Design Category according to Directive 2013/53/EU	
Conforms to EN ISO 6195 - <b>3</b>	Design Category <b>C</b>	Passengers capacity	
<b>85</b> kW <b>115</b> HP	<b>7</b>		
<b>855</b> kg <b>1885</b> lbs			
<b>0.15</b> bar <b>(2.2</b> psi)		Made in UKRAINE	

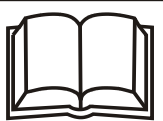
Maximum propulsion power rating for the boat

The rated tube pressure value

Manufacturer's recommended maximum load, including the mass of the outboard engine(s) but excluding the mass of the contents of fixed fuel and water tanks when full

Plate with identification number:

**UA-QRK12345A000**





**ATTENTION**


It is fundamental for the plates to be aboard the boat, since they are only form of recognition and identification. Without them the boat does not comply with the legislation in effect. The plates must never be removed. Any tampering or removal not authorised by the manufacturer is the full responsibility of the owner.

## SAFETY REGULATIONS.

This manual contains recommendations and basic rules of conduct for using the boat in complete safety. Although it is not possible to offer safety information for all potential situations, in general it is recommended that you :

	Regularly check which safety requirements are in force.
	Maintain the boat and the onboard plants in optimum condition.
	Have the boat inspected by the dealer where it was purchased or by an authorised mechanic <b>at least once every year</b> for your own safety and for maintaining the guarantee.

	Always check weather and seagoing conditions before setting out. <b>For safe navigation, compare the design category of your boat with the table below.</b>
	When the tank is installed by the yard, the plant is prepared with a ground plait. The installation of the motor <b>MUST FORESEE A PLAIN CONNECTION</b> to the boat ground plait. Failure to connect (or failed maintenance) can result in the tank perforating leading to a serious risk of fire / explosion caused by leaking fuel.

	<b>Max number of transportable persones</b> is referred to an established weight of 75 kg per person (ISO 6185), so always make reference to total maximum transportable weight. <b>The max weight of the installable motors</b> indicates the maximum overall weight applicable on the stern board, including any emergency motors. <b>NEVER exceed the stated value.</b>
---	---

## BEAUFORT Wind Scale and Corresponding State of the Sea, After Few Hours of Wind, Away From the Coast.

Force	Denomination	Knots	Km/h	m/sec	State of the sea and wave height in meters	
0	Calm	<1	<1	0-0.2	Calm	0
1	Light Air	1-3	1-5	0.3-1.5	Calm	0
2	Light Breeze	4-6	6-11	1.6-3.3	Almost calm	0.2
3	Gentle Breeze	7-10	12-19	3.4-5.4	Almost calm	0.2
4	Moderate Breeze	11-16	20-28	5.5-7.9	Small waves	0.5
5	Strong Breeze	17-21	29-38	8.0-10.7	Large waves	1.25
6	Fresh Wind	22-27	39-49	10.8-13.8	Large waves	2.0
7	Strong Wind	28-33	50-61	13.9-17.1	Very large waves	2.5
8	Gale	34-40	62-74	17.2-20.7	Rough sea	4
9	Strong Gale	41-47	75-88	20.8-24.4	Very rough sea	6
10	Storm	48-55	89-102	24.5-28.4	Heavy	9
11	Violent Storm	56-63	103-117	28.5-32.6	Very heavy	14
12	Hurricane	64 and over	118 and over	32.7 and over	Stormy	14 and over

### Boat Design Categories (Directive 2013/53/EU):

Design category	Wind force (Beaufort scale)	Significant wave height
"A" - "Ocean"	exceeding 8	exceeding 4
"B"- "Offshore"	up to, and including, 8	up to, and including, 4
"C"- "Inshore"	up to, and including, 6	up to, and including, 2
"D"- "Sheltered waters"	up to, and including, 4	up to, and including, 0.3

NOTE: **The significant wave height** is the mean height of the highest one-third of the waves, which approximately corresponds to the wave height estimated by an experienced observer. Some waves will be double this height.





## ALWAYS REMEMBER ABOUT FIRE DANGER .

### Fire may be caused by:


Crew negligence when smoking, the presence aboard of flammable liquids, electrical contacts, propulsion motor, errors in fueling, or if maintenance has not been performed as required.


Once again, it is important that the crew behave correctly and that the boat is kept in order to avoid serious damage to it and to persons.

	Easily flammable products must not be kept aboard.
---	--

	BATTERY: the battery may cause sparks or explosions. It must be stored in an appropriate container, easily reached and well aired, AWAY FROM FUEL OR INFLAMMABLE PRODUCTS. Periodically check that the clips are tight and protect them with appropriate insulation in order to prevent sparks or the spread of current.
---	--

However, if a fire does occur aboard, stop motor, disconnect the batteries immediately, check to see if it is an electrical component or any case a small-scale fire that does not involve flammable liquids, in which case use a suitable fire extinguisher to try and put the fire out completely.

	Extinguisher or any other fire-fighting equipment must not be kept in compartments with key lock, but in easily accessible and clearly indicated locations.
	Extinguisher or any other fire-fighting equipment should be checked periodically and replaced with the same or superior types <b>if expired or inefficient.</b>

	Equip the boat with fire-fighting equipment before launch and use.
--	--

## TECHNICAL SPECIFICATIONS.

The basic parameters and dimensions of the EAGLE 5 (version Eagle 5L and Eagle 5S) comply with the data specified in the following table. All dimensions measurements indicated have a tolerance of +/- 3%, weight measurements indicated have a tolerance of +/- 5%.

Parameter	Eagle 5L	Eagle 5S
Length (without engine)	4.95 m	4.95 m
Beam	2.30 m	2.30 m
Height	1.60m	1.52m
Inflatable tube diameter, max.	0.51 m	0.51 m
Cockpit dimensions:		
- length	3.31 m	3.31 m
- width	1.28 m	1.28 m
Deadrise angle on transom	20°	20°
Deadrise angle in middle section	23°	23°
Transom height	508mm	508mm
Number of independent air-tight chambers	5	5
Nominal pressure	0.15 bar / 2.2 psi	0.15 bar / 2.2 psi
Passengers capacity	7	7
Recommended engine power	90HP / 66kW	90HP / 66kW
Maximum engine power*	115HP / 85 kW	115HP / 85 kW
Maximum engine weight (including controls and battery)	280kg	280kg
Engine shaft length	20" (Long)	20" (Long)
Built-in fuel tank capacity	98L	98L
Weight of empty boat (with steering console, without engine, without fuel)	415kg	410kg
Weight of boat with equipment provided by the manufacturer	430kg	425kg
Maximum load capacity of empty boat (ISO method)	980kg	980kg
Displacement in Light Craft Condition (LCC)	730kg	730kg
Maximum total load (ML)	680kg	680kg
Maximum recommended load (including weight of the max engine(s), passengers and cargo onboard, but excluding the mass of the contents of fixed fuel and water tanks when full)	855kg	855kg
Loaded displacement mass	1410kg	1410kg

\* When the boat is fitted with an engine with maximum recommended power it must be use with extreme care. This application is directed at experienced users using their boats for very specific purposes.

## COMPLETE SET.

In the table shows the maximum possible complete set, which may differ from your boat.

No	Description	Unit of measure	Eagle 5
1	<b>Inflatable boat</b>	pcs.	1
2	<b>Foot pump</b>	pcs.	1
3	<b>Paddle</b>	pcs.	2
	<b><i>Set of spare parts and repair kit:</i></b>		
4	- mooring line	m	18
5	- coated fabric for repair	m <sup>2</sup>	0.06
6	- glue set for repair	set	1
7	<b>Bag</b>	pcs.	1
8	<b>Owner's manual</b>	pcs.	1
9	<b>Built-in fuel tank</b>	pcs.	1(98L)
10	<b>Steering console (deluxe or sport version)</b>	pcs.	1
	<b><i>Steering console equipment:</i></b>		
11	Mechanical steering system	pcs.	1
12	Mechanical steering system cable	pcs.	1
13	Hydraulic steering system	set	1 (variant)
14	Steering wheel	pcs.	1
15	Fuel level clock	pcs.	1
16	Switches of electrical equipment	pcs.	5
17	Socket 12V with fuse	pcs.	1
18	Compass	pcs.	1
19	Speedometer	pcs.	1
20	Tachometer	pcs.	1
21	Electric horn	pcs.	1
22	<b>Front locker removable cushion</b>	pcs.	2

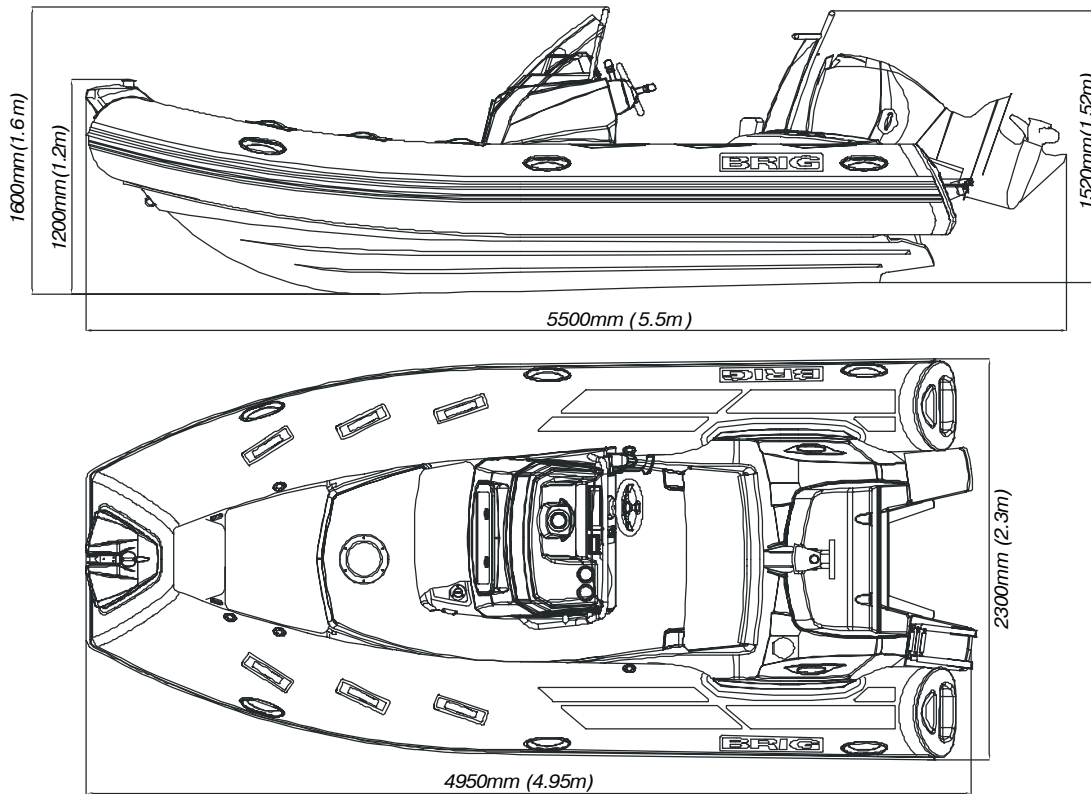
No	Description	Unit of measure	Eagle 5
23	<b>Mast with white navigation light</b>	pcs.	1
24	<b>Front step plate with navigation lights</b>	pcs.	1
25	<b>Drain automatic bilge pump</b>	pcs.	1
26	<b>Towing eye</b>	pcs.	1
27	<b>Soft back of stern-part seat</b>	pcs.	1
28	<b>Foldable stainless steel ladder</b>	pcs.	1
<b><i>Additional options:</i></b>			
<b>Shower kit :</b>			
29	Water tank (39 litres)	pcs.	1
30	External water fill	pcs.	1
31	Shower handset	pcs.	1
32	Shower pump	pcs.	1
33	Box with cap for shower handset	pcs.	1
34	Bow sun deck set with cushion	pcs.	1
35	Overall cover	set	1
36	Steering console cover	set	1
37	Collapsible sun-top	set	1
38	Battery container	pcs.	1
39	Valve cap pressure gauge	pcs.	1
40	SeaDek set	set	1

**Note.** Perfection of the design and improvement of quality of our products is the fundamental production policy of our company. Therefore, alternations may be made to the complete set (and as the components become available).

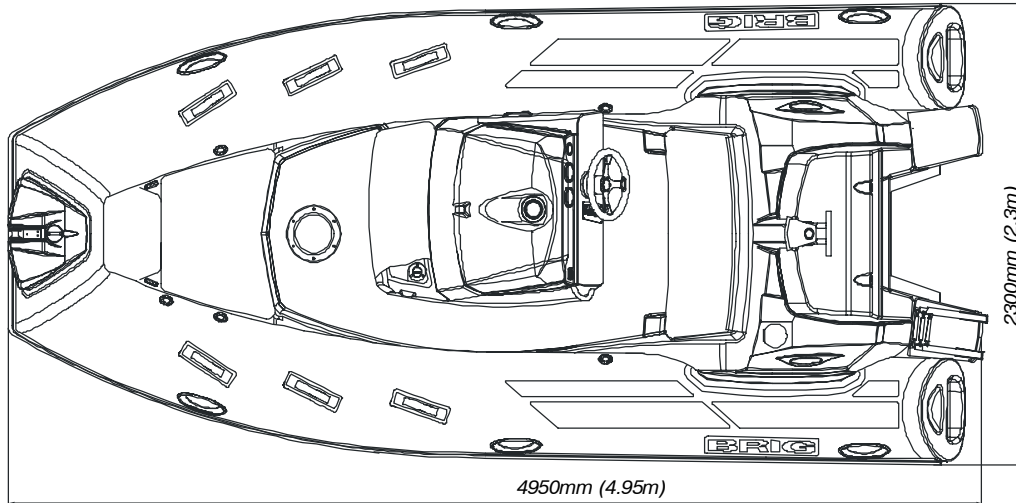
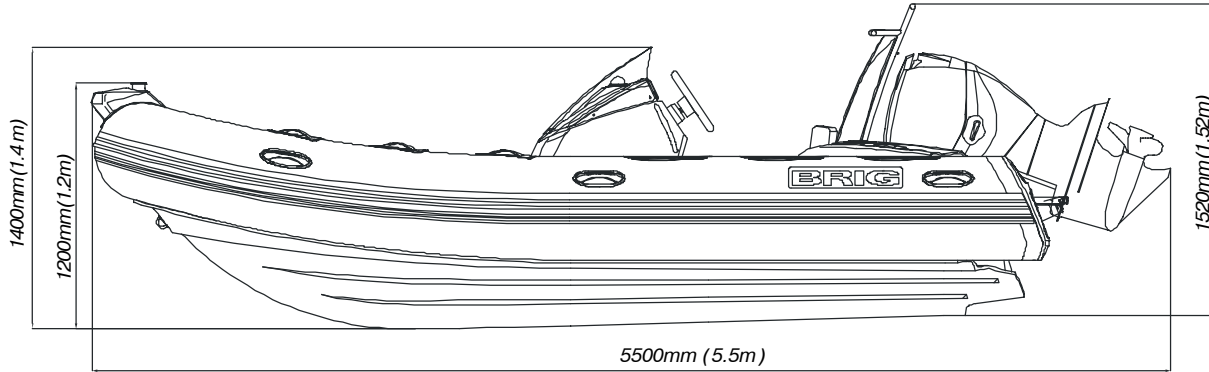
## THE MAIN DIMENSIONS.

The main dimensions of Eagle 5L and Eagle 5S have tolerance of +/- 3%.

The length of the boat with the engine can vary depending on the model of the engine and the angle of its deviation. (See Fig. D0)



Eagle 5L  
Fig. D0



Eagle 5S  
Fig. D0

## BOAT DESIGN.

The boat series "EAGLE" consists of the next main components (Fig. D1):

- Polyester hull (1);
- Reinforced buoyancy tube (2);
- Polyester steering console (13);
- Mast for navigation lights (18).

### ●DESCRIPTION:

- 1 — Polyester hull.
- 2 — Reinforced buoyancy tube.
- 3 — Doubled rubbing strake.
- 4 — Safety handle.
- 5 — Towing bow eye.
- 6 — Front step-plate with bow roller.
- 7 — Neck for fuel fill.
- 8 — Box for shower handset.
- 9 — Steering console seat.
- 10 — Air fill valve (5 pcs.).
- 11 — Front lockers removable cushions.
- 12 — Cockpit drain system sockets (2 pcs.).
- 13 — Steering console (Deluxe or Sport version).
- 14 — Neck for water fill.
- 15 — Stern-part seat.
- 16 — Soft back of stern-part seat.
- 17 — Mooring cleats.
- 18 — Mast.
- 19 — Navigation lights (red and green).
- 20 — Anchor light (white).
- 21 — Stern lifting eyes.
- 22 — Bow lifting eyes.

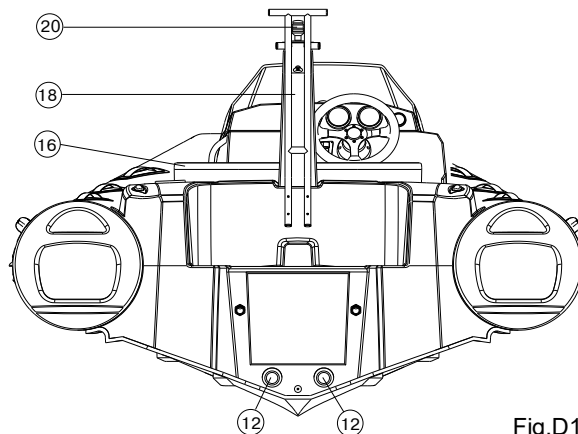
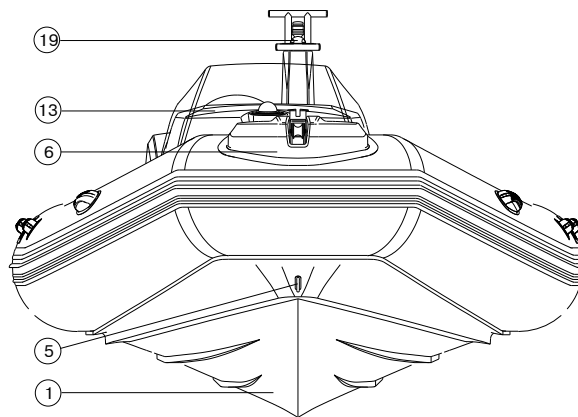


Fig.D1

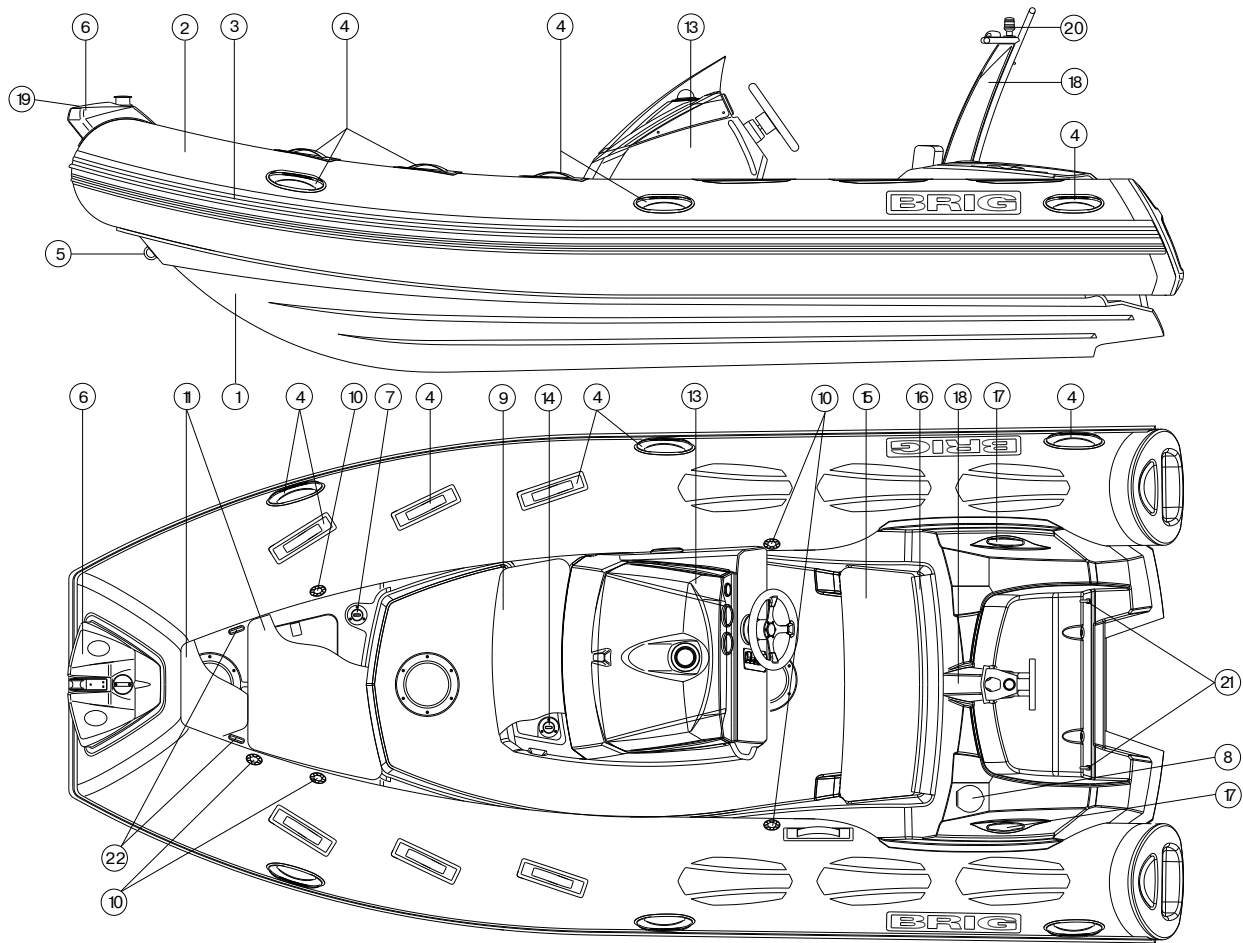


Fig.D1



## ● HULL.

The boat hull has "deep-V" shaped bottom with four longitudinal steps. The upper deck has a special moulded antiskid coating. There is four specified sections (Fig. D2):

- bow anchor locker (1) is intended for arrangement of anchor and anchor chain/rope;
- bow locker (2) is intended for baggage arrangement;
- locker under the seat of steering console base part (3) is intended for baggage arrangement;
- stern compartment (4).

Onto bow lockers there are removable soft cushions (11, Fig. D1). Onto the stern compartment door there is soft seat (15, Fig. D1) and soft back (16, Fig. D1).

The boat hull is arranged with the following components:

- bow towing eye (5, Fig.D2a);
- fuel tank (6);
- water tank (7);
- battery disconnecter (at the stern part of the cockpit);
- cockpit drain system sockets (8, Fig. D2b, D2c);
- two stern lifting eyes (9);
- drain out of motor recess (10, Fig. D2d);
- drain automatic bilge pump (11, Fig. D2c);
- shower pump (12, Fig. D2b);
- two bow lifting eyes (13);
- outer neck for fuel fill (14);
- outer neck for water fill (15);
- inspection hatches (16);
- two stern cleats (17);

The fore part of the cockpit may be simply converted into the sundeck by means of false decks and soft cushions.

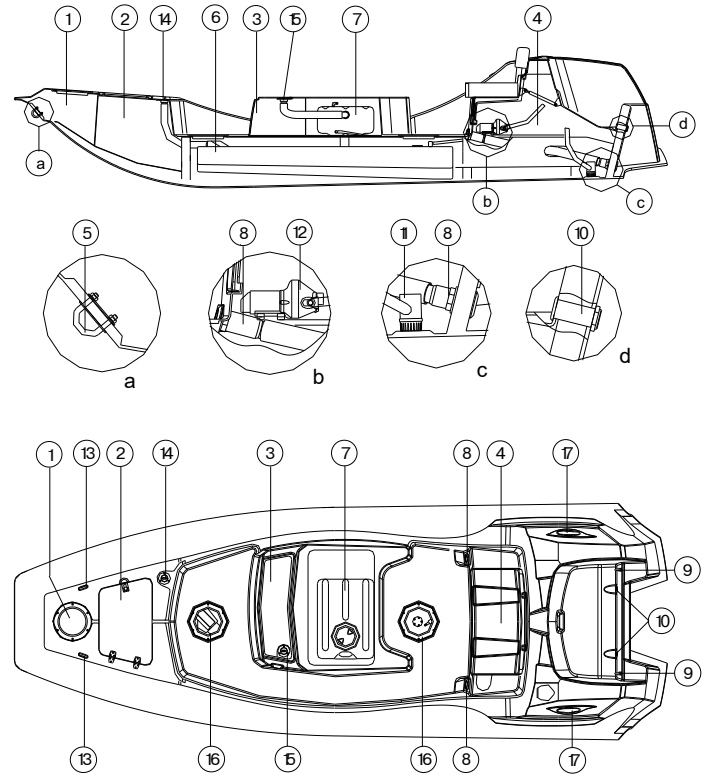


Fig.D2

## ●REINFORCED BUOYANCY TUBE.

The boat buoyancy tube has U-shaped form. The tube is separated by means of inner elastic partitions into five chambers of a similar volume, each being provided with an air fill valve.

The air fill valve is intended for:

- filling the compartment with air from a standard pump or filling system and maintaining pressure in the tube for prolonged time,
- adjustable drop of pressure in compartment.

The air fill valve is designed as a tab-type non-return valve and consists of the following components (Fig. D3):

- housing (1);
- cup (2) with strap (3);
- washer with gasket (4);
- nut (5);
- spindle (6) with spring (7) and cup diaphragm (8).

Also there are the following elements fitted on the tube (Fig. D1):

- doubled rubbing strake (3, Fig.D1);
- safety handles (4, Fig.D1);
- bow step-plate with a special moulded antiskid coating (6, Fig.D1).

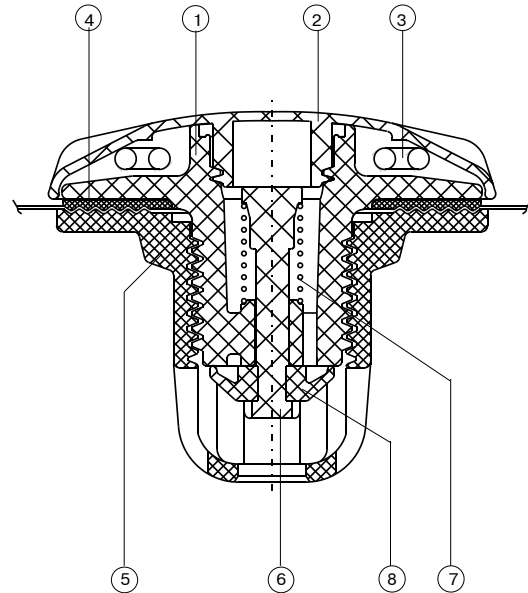


Fig.D3

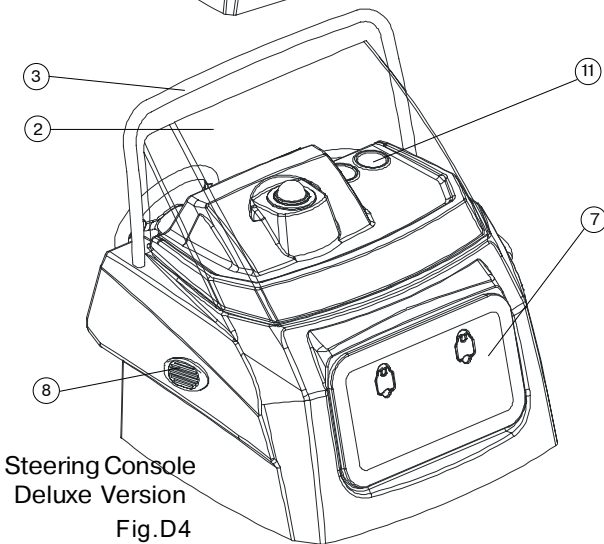
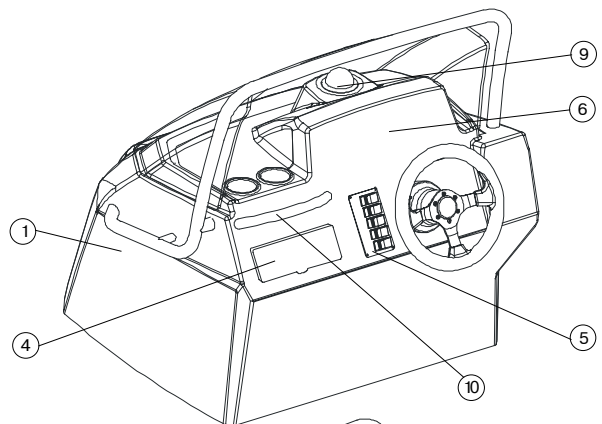
## ●MAST.

Mast (18, Fig.D1) is located in the stern part of the boat. Mast is equipped with anchor light (white, 20) and may be used as ski-mast, (Fig. D1).

## ●STEERING CONSOLE DELUXE VERSION.

The console of the Eagle 5L consists of the following components (Fig. D4):

- console base, integrated with the deck;
- console upper part (1);
- windscreen (2);
- stainless steel handrail (3) and handle (10);
- niche for things (4) with socket 12V;
- plate with switches (5);
- place (6) for installation of analog or/and digital devices, such as speedometer, tachometer, trim-meter, fuel-level meter, multipurpose meters, GPSmap, etc. ;
- hatch (7);
- electric horn (8);
- compass (9);
- cup holder (11);
- fuse holding box with warning lights (located inside the console).



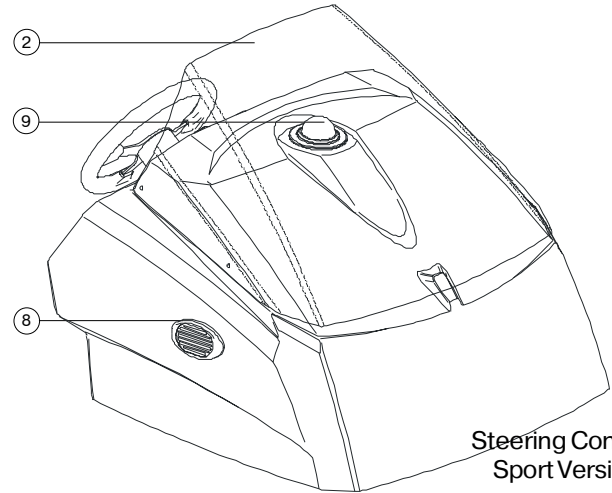
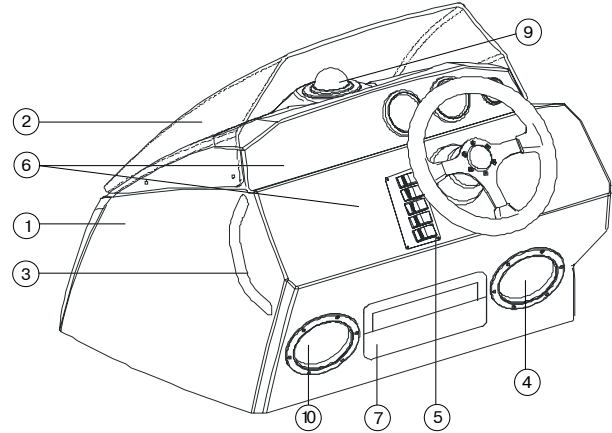
Steering Console  
Deluxe Version  
Fig.D4

## ●STEERING CONSOLE SPORT VERSION.

The console of the Eagle 5S consists of the following components

(Fig. D5):

- console base, integrated with the deck;
- console upper part (1);
- windscreen (2);
- stainless steel handrail (3);
- front soft seat (9, Fig.D1);
- hatche (4);
- plate with switches (5);
- place (6) for installation of analog or/and digital devices, such as speedometer, tachometer, trim-meter, fuel-level meter, multipurpose meters, GPSmap, etc.;
- niche for things (7) with socket 12V;
- electric horn (8);
- compass (9);
- fuse holding box with warning lights (10) (located inside the console).



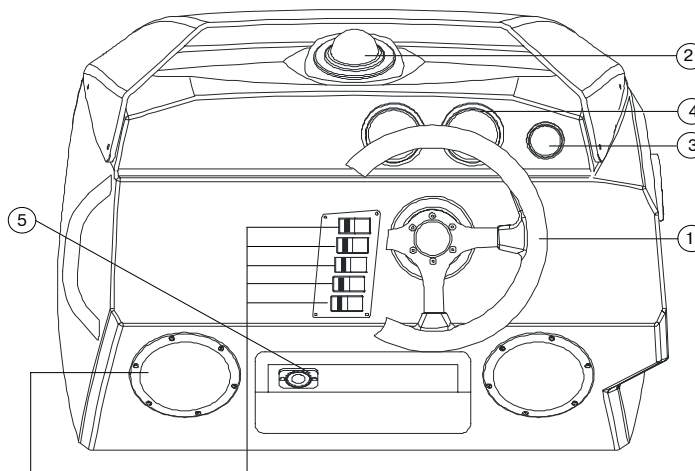
Steering Console  
Sport Version



Fig.D5

"BRIG"

**Console equipment** (Fig. D6)

- mechanical or hydraulic steering system;
- steering wheel (1);
- compass (2);
- fuel-level meter (3);
- speedometer (4);
- additional equipment (tachometer or multi-purpose meter, trimmer, voltmeter, clock);
- socket 12V with fuse (5);
- fuse holding box with warning lights (inside of the steering console on the left side)
- switches:
  - electric horn switch (6);
  - anchor light switch (7);
  - running lights and meter lamp switch (8);
  - bilge pump switch (9);
  - shower pump switch (10);



 <b>WARNING</b>	Always check the fuse. Burning red LED display on the fuse box warns of faulty fuse
 <b>WARNING</b>	Always keep a spare set the fuse in an easily-accessible location.

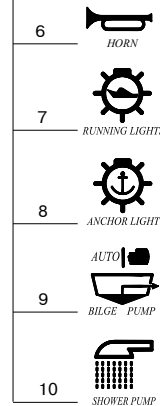
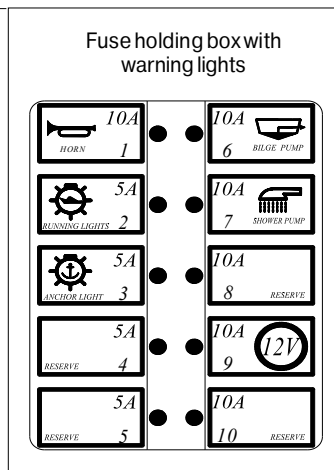


Fig.D6

## ●FUEL SYSTEM.

Fuel system consists of the following components (Fig. D7):

- built-in fuel tank 98L (1);
- electric fuel gauge (2);
- outer neck for fuel fill (3);
- fuel hose (from outer neck for fuel fill to fuel tank) (4);
- fuel hose (from fuel tank to outboard motor) (5);
- fuel venting hose (6).

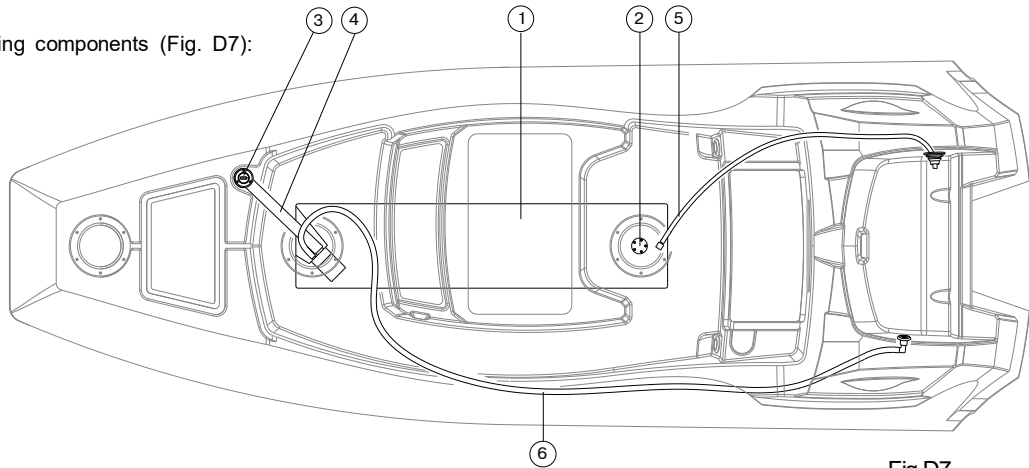


Fig.D7



Pre-filter and fuel valve must be installed by authorized representative specialists only.

Do not modify fuel system. Any modification, repair and planned maintenance of the fuel system may be made by authorized representative specialists only.

Check that there are no leaks in the fuel systems



Do not smoke when refueling. Stop the engine and switch off any electric equipments before refueling.

It is dangerous to pretend to be an expert. This may cause damages. Refer to expert and authorized specialists for all types of maintenance and repair.

## ●DRAIN SYSTEM.

Drain system, (Fig. D8 ), consists from two independent systems:

- cockpit and motor recess drain system;
- hull drain system.

*COCKPIT AND MOTOR RECESS DRAIN SYSTEM includes:*

- two cockpit drain sockets with plugs (1);
- two stern drain sockets with flexible diaphragms (2);
- two drain hoses (3);
- drain socket thru-hull out of motor recess (4);

*HULL DRAIN SYSTEM includes:*

- automatic bilge pump (5);
- drain hose (6);
- drain socket installed in the motor recess (7);
- bilge drain socket (8) (Fig.D8).

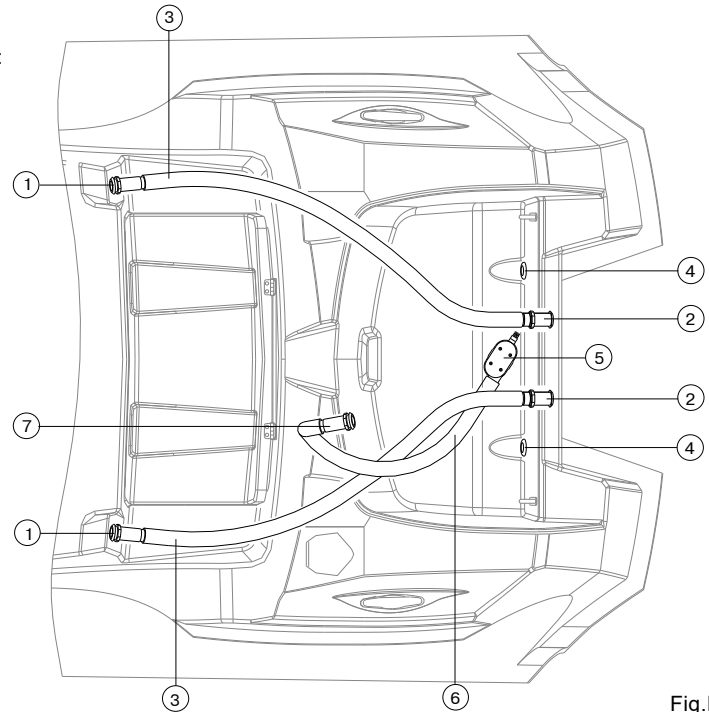


Fig.D8



Always the cockpit drain sockets must be open during navigation. Do not obstruct cockpit drain sockets at any time. Do not dispose bulky objects in front of the cockpit drain sockets.

Do not modify drain systems. Before navigation check the drain valves.

Never locate heavy objects on the drain hoses. It will be cause of bucking, distortions and damages.



Bilge valve (8)(Fig.D8) should be tightly CLOSED when the boat on the water

Bilge valve (8)(Fig.D8) should be open when the boat is out of the water



It is dangerous to pretend to be an expert. This may cause damages. Refer to expert and authorized specialists for all types of maintenance and repair.



Always the cockpit drain sockets must be open during navigation. Do not obstruct cockpit drain sockets at any time. Do not dispose bulky objects in front of the cockpit drain sockets.



Do not modify drain systems.  
Before navigation check the drain valves.



Never locate heavy objects on the drain hoses. It will be cause of bucking, distortions and damages.

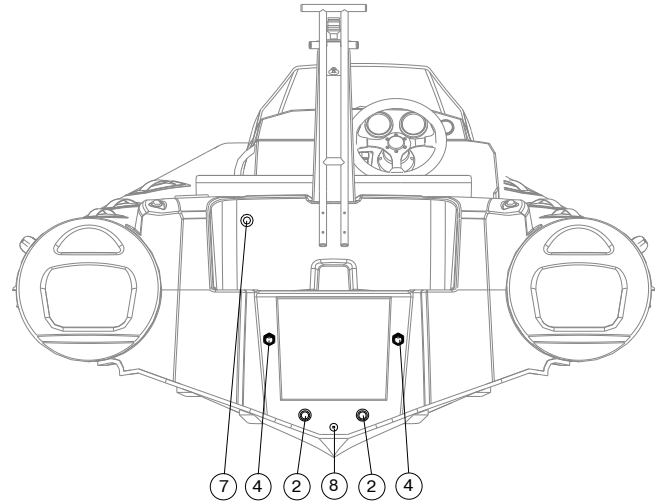


Fig.D8



## ●SHOWER KIT.

Shower kit includes the next components (Fig. D9):

- water tank 39L (1);
- water fill (2);
- water drain line (3);
- water line (from water fill to tank) (4);
- water line (from water tank to shower pump) (5);
- water line (shower hose) (6);
- shower pump (7);
- box for shower handset (8);
- shower handset with push button control and shower hose (9).

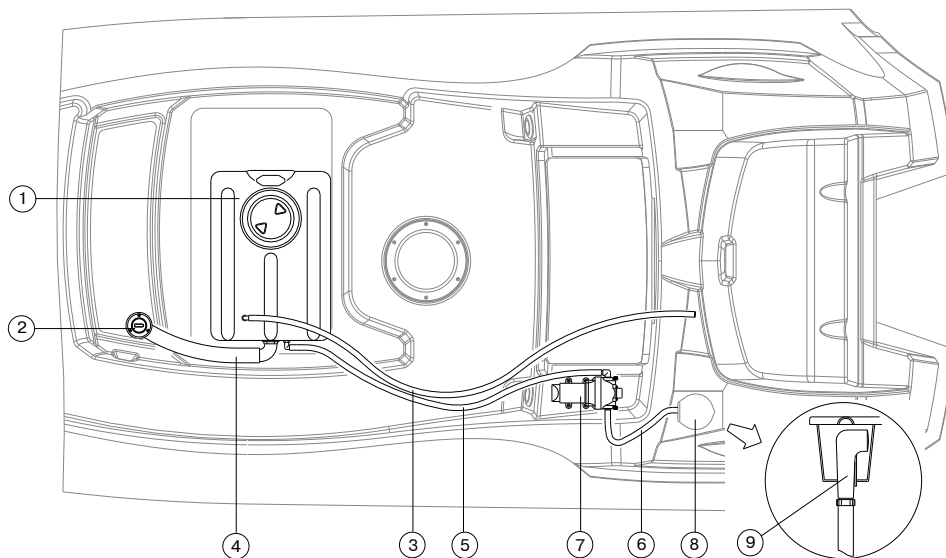


Fig. D9



**WARNING**

Always drain the water out from the water tank and all hoses, if it is likely lowering the ambient temperature to negative values. This way you prevent damage to the tank and hoses freezing water in them

● **WIRING DIAGRAM.**

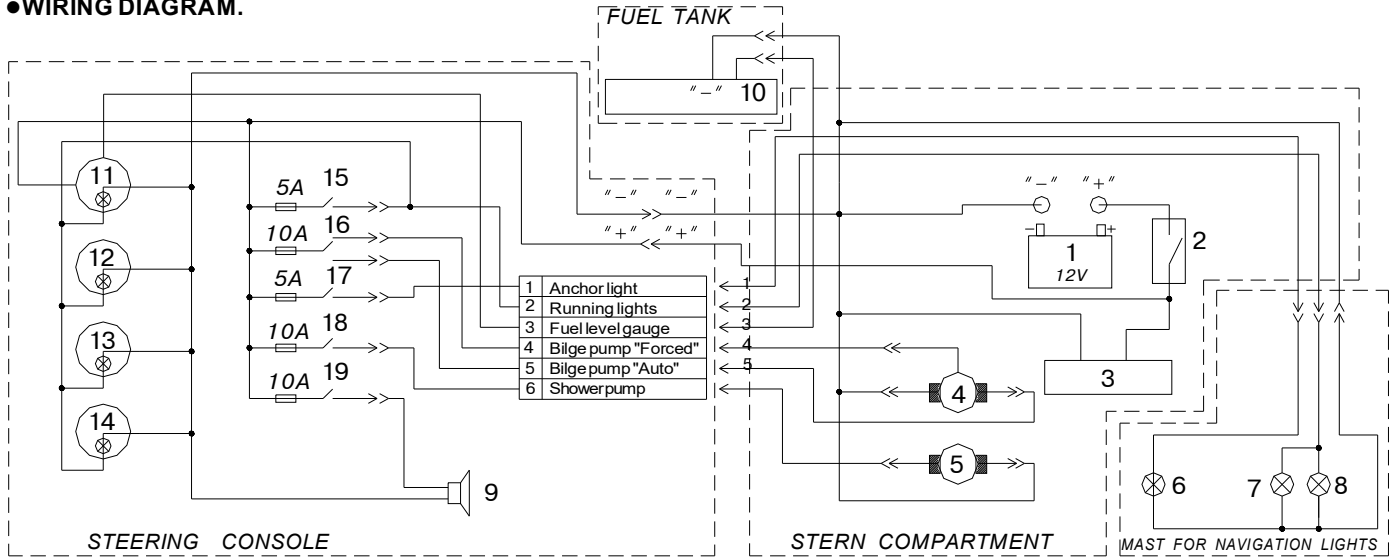




Fig.D10

**DESCRIPTION:**

- |   |  |
|---|--|
| 1 — Battery (is not included to the complete set).        | 12 — Tachometer.   |
| 2 — Battery disconnecter.                                 | 13 — Compass.  |
| 3 — Outboard motor (is not included to the complete set). | 14 — Speedometer.  |
| 4 — Bilge pump.   | 15 — Switch with automatic circuit breaker — meter lamp and running lights switch. |
| 5 — Shower pump.  | 16 — Switch with automatic circuit breaker — bilge pump "FORCED" / "AUTO"          |
| 6 — Anchor light (white).                                 | 17 — Switch with automatic circuit breaker — anchor light (white).                 |
| 7 — Port light (red).                                     | 18 — Switch with automatic circuit breaker — shower pump.                          |
| 8 — Starboard light (green).                              | 19 — Switch with automatic circuit breaker — electric horn.                        |
| 9 — Electric horn.  |  |
| 10 — Fuel level gauge.                                    |  |
| 11 — Fuel level meter                                     |  |

 <b>WARNING</b>	<p>Do not modify electrics of the boat. Any modification, repair and planned maintenance may be made by authorized representative specialists only.</p>	 <b>ATTENTION</b>	<p>When leaving the boat, remember to disconnect the batteries.</p>
	<p>Do not touch the electrical equipment with wet hands.</p>		

## PREPARATION FOR EXPLOITATION.

In order to set the boat in the operation condition perform as follows:


- unfold the inflatable tube;
- mount the outboard motor on the transom in accordance with its own installation instruction (manual of your outboard engine).

### ●INFLATION/DEFLATION OF THE BOAT TUBE.

The inflatable tube of the boat has five independent air-tight chambers. Before inflation it's necessary to set all valves in operating condition. In order to switch valve in operating condition, please press spindle 6 (Fig. D3) with your finger and rotate it clockwise until the spindle will be fixed. If this operation isn't possible, it means the valve already has been set in operating condition.

Fill the tube with air using the pump from the complete set. First fill two rear chambers, next two middle chambers. However, do not increase the pressure up to its operating value (the tube will be completely straightened). After that, please fill the fore chamber up to the rated pressure. **The rated pressure value is 0.15 bar (2.2 psi).** Having completed filling, close the valve covers.

In order to discharge air from the tube chambers, open the valves (please press spindle 6 (Fig. D3) with your finger and rotate it anticlockwise until the spindle will be fixed).

 <b>WARNING</b>	<p>Do not use compressors and/or other types of inflating equipments not approved by the boat builder.</p>
	<p>Check the tube pressure before every navigation.</p>
	<p><b>The rated pressure value is 0.15 bar (2.2 psi).</b> If the tube pressure more than nominal, deflate the tube slightly. Boat exploitation with board pressure more than nominal decreases boat service life.</p>



**ATTENTION**

Board air chambers are hermetical if they keep own form during 8 hours. In this case:

- primary pressure has to be nominal;
- input valves openings have to be tightly closed by caps.

### ●STORAGE BATTERY INSTALLATION.

In order to install the storage battery, perform next operations:

- open door of the stern compartment;
- install the storage battery into the battery container;
- connect the battery terminals with motor battery cord and battery disconnecter;
- please, check efficiency of the electric equipment.



**WARNING**

Before installation your storage battery read the **BATTERY MANUAL** carefully and ensure that you have understood all the described procedures.

### BOAT TRANSPORTATION BY TRAILER.

Installed on a trailer (or on keel-blocks for storage) the boat should be laying on all surface of the Main loading area (keel line) (see Fig. D11).

It is possible to install the boat on several reference points. Thereby the point of support (1) must be an obligatory, and the point of support (2), (3), (4) must be an additional.

Lateral roller supports can be used only with a view of prevention from tipping.

Points of support

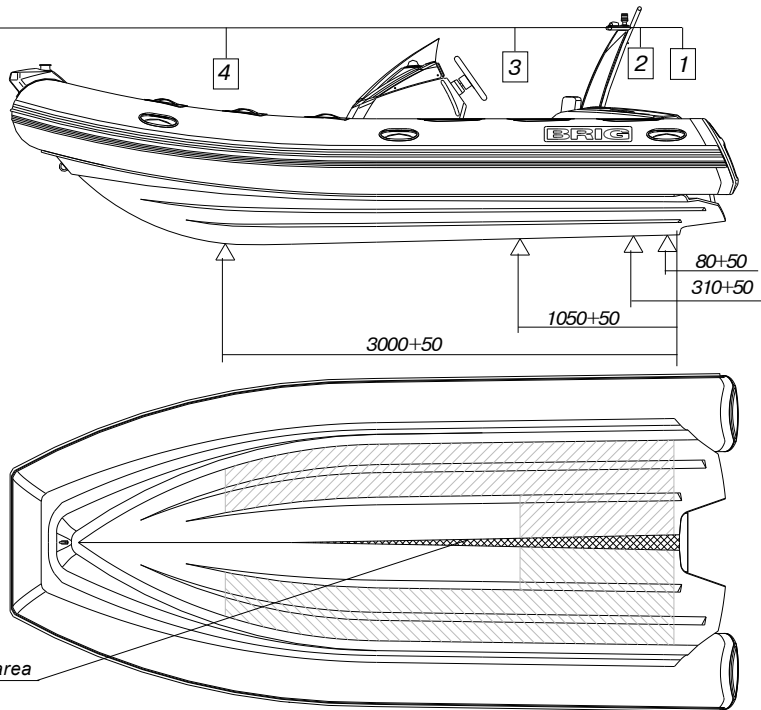




Fig.D11

	<p><b>Maximum transportable mass Eagle 5 – 885 kg</b></p>
<p><b>ATTENTION</b></p>	

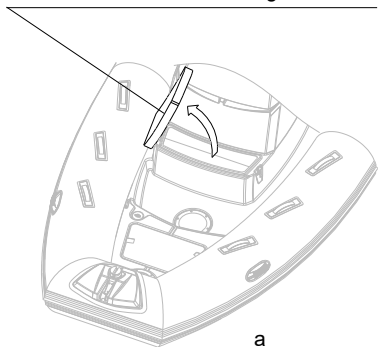
	<p>In order to avoid the hull damage, install the boat on the stated areas only.</p>
<p><b>ATTENTION</b></p>	

## ●HOW TO INSTALL SUNDECK.

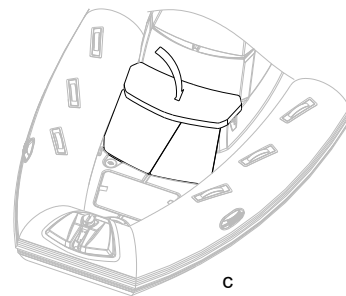
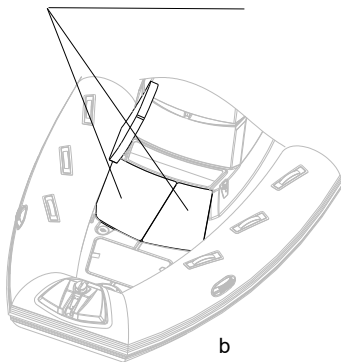
Sundeck set includes two false deck boards and two soft cushions. In order to install the sundeck (Fig. D12), please do the next:

- Open front seat of the steering console (Fig. D12a).
- Put false deck boards into the special drops in the front wall of the cockpit and the front wall of the console, (Fig. D12b).
- Close the front seat of the steering console (Fig. D12c).
- Further, please place two soft cushions onto the false decks and fasten them with the help of press-buttons (Fig. D12d).

front seat of the steering console

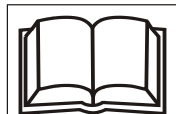
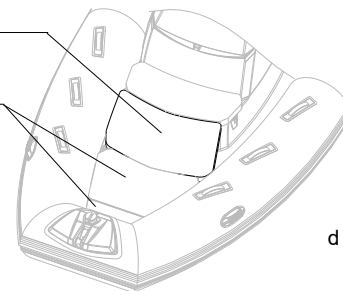


false deck boards



Soft cushion

Front locker removable cushions



**ATTENTION**

Always check fixation of the sundeck cushions.

## ●REBOARDING MEANS.

Reboarding ladder mounted on the stern of the boat on the starboard side.

If you are in the water, and the ladder is folded, you can lay it out and return onboard.

The ladder can be fixed with Velcro. Just unclip it.(fig.D13)

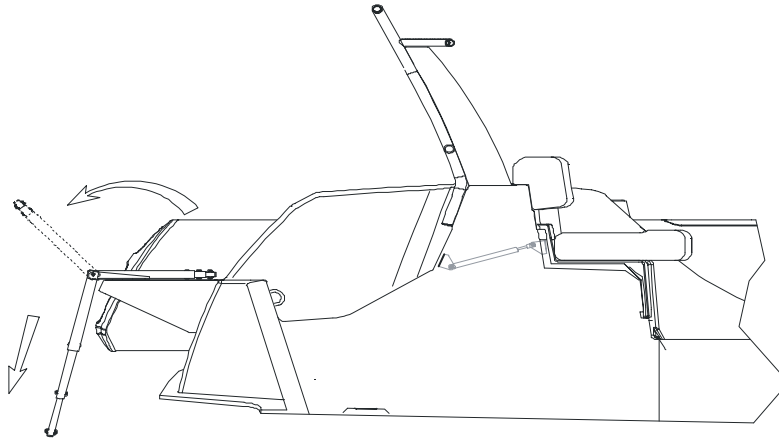
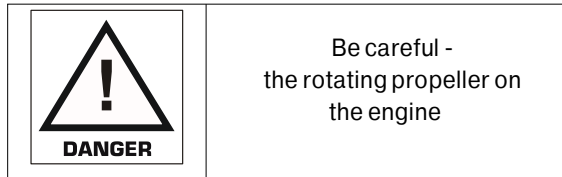


Fig.D13

## ●CREW LIMIT.

The number of passengers in the boat is limited. The maximum possible number of passengers is indicated in the technical data and on the builder's plate. Never exceed the crew limit.

Always check that the passengers in the boat are sitting in the designated seating area.

Passengers should always use the handholds to avoid falling overboard.

On the picture (Fig.D14) you can see the recommended location of the crew in the boat Eagle 5.

In order to use the bow seat (persons indicated in the figure as A, B, C and D) SunDeck must be folded while the boat is in moving.

Person indicated in the figure as G can be placed on the tube of the boat.

However, this person should always use two handholds for holding with both hands. When placing person on the tube, you must be careful while the boat is moving to prevent people from falling and injuring themselves.

We do not recommend placing persons on the tube during a great sea swell and strong wind.

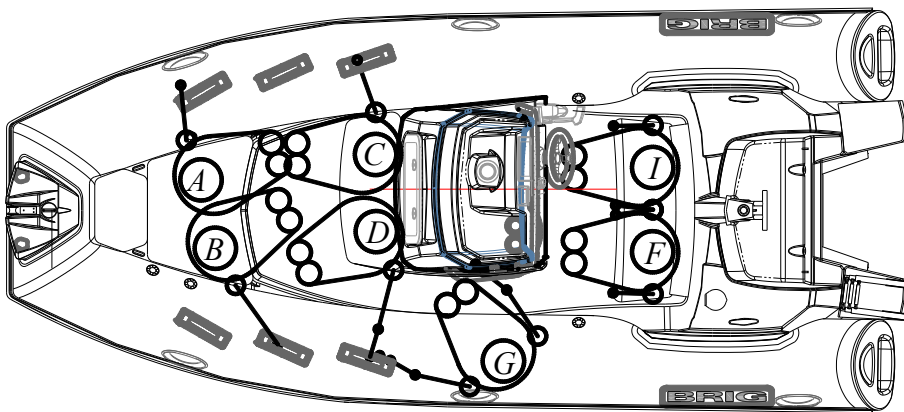
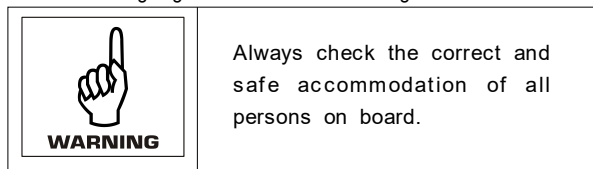



Fig.D14




●**MOORING. Strong points.**

For mooring on the boat model Eagle5 installed two stern cleats (Fig.D15).Use only these cleats for mooring.

Do not use other parts and elements of the boat for mooring.Make sure that the mooring rope does not damage the buoyancy tube or other elements of the boat.Rope for mooring must be appropriate strength, diameter and length.For bow mooring you can use clam-bollard, but only in calm water for a short time.If you are leaving the boat and there is a possibility of rough water or strong wind, use only bow U-bolt to bow mooring.

 <b>WARNING</b>	Cleats are designed for a maximum load of 12kN. The breaking strength of rope shall in general not exceed 80% of the breaking strength of the respective strong point.
---	---

 <b>DANGER</b>	Be careful when mooring. Suddenly tensioned mooring ropes may cause injury.
--	--

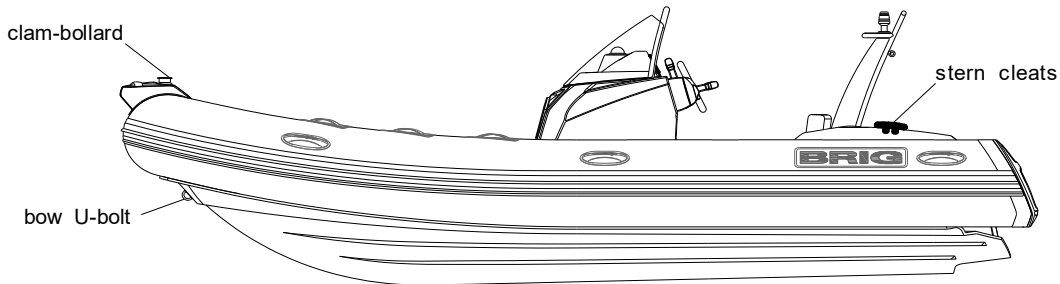
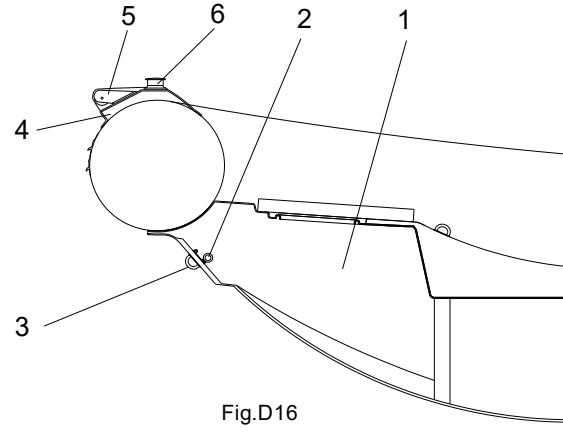


Fig.D15

## ●ANCHORING AND TOWING. Strong points.

On the boat there is space to accommodate the anchor (Fig.D16).

- 1 - anchor storage compartment
- 2 - inner ring for fixing rope
- 3 - U-bolt for fixing the anchor / tow rope
- 4 - bow plate
- 5 - bow roller
- 6 - clam-bollard for rope 6-10mm



Equip your boat with an anchor of suitable size and type.

Fix the rope for anchoring / towing only for U-bolt (3).

Rope for anchoring / towing must be appropriate strength, diameter and length.

Fig.D16



U-bolt (3) is designed for a maximum load of 14kN.  
The breaking strength of rope shall in general not exceed 80 % of the breaking strength of the respective strong point.



A tow line shall always be made fast in such a way that it can be released when under load.

Always tow or be towed at a slow speed. Never exceed the hull speed of a displacement craft when being towed.



Always use a roller (5) and clam-bollard (6) to tighten the rope to avoid damage of the buoyancy tube.

Roller and clam-bollard are made of nylon and have a limited lifespan. Check them periodically for damage. Replace them if necessary.

## MAINTENANCE.

- Main conditions of long service life is right and careful servicing. Avoid excessive increasing of pressure in the board, especially from heating by the sun rays.
- At the end of exploitation take off sand and dirt from boat surface, and carefully dry it.
- Avoid the water getting into the chambers. If a fuel or an oil gets to the boat surface it is necessary to wash the soiled place by soap water as soon as possible and dry.
- Pay attention to the condition of bottom surfaces. If the cover is destroyed it is necessary to dry this element and restore the defend cover.
- At the end of the season exploitation, prepare the boat to winter keeping. Clean boat surface from sand and dirt, and make the necessary repairs, if damages take place. If it is possible, keep the boat in open and slightly pumped state at air temperature 0-25°C. The boat must be protected from the sun rays.
- Insignificant boat repairing (eliminating the board punctures or cuts) you may carry out by yourself. In this case use the coated fabric and glue set for repair from the complete set.

The own fulfilment of any complex repair associated with considerable damages to the board, partitions and seams is not recommended. In such cases, apply to your dealer.







Storage of the boat with temperature variations from -30°C to +45°C may be allowed not longer than 1 month. In case the boat has been stored or transported at a temperature below 0°C, it must be kept at a temperature above +15°C at least for 1 hour before to be unpacked and unfolded.

For small repair boat tube use the coated fabric and glue set from the complete set.

## OPERATING REGULATIONS.

Dear user,

We thank you for your purchase and do hope that you will have a great fun of it. However, to make your joy and pleasure complete, we would request you to read carefully and observe the directions and recommendations specified below.

 <b>DANGER</b>	IT IS STRICTLY FORBIDDEN to handle the boat in the state of intoxication and without individual rescue means being used (life-saving belts, jackets, etc.)
	IT IS FORBIDDEN to use an outboard motor of power exceeding the maximum allowable value
 <b>WARNING</b>	IT IS FORBIDDEN to bring the tube pressure up to the value exceeding the rated one <b>(0.15 bar(2.2psi))</b>
	IT IS STRICTLY FORBIDDEN to drag the boat across a rough surface.
	For each particular water area the local shipping regulations are in force. You may apply for information to the appropriate water transport and shipping directorate, as well as to the water police.
 <b>WARNING</b>	Use the boat equipment and accessories only on their direct purpose to ensure reliable service.
	Even when sailing with an outboard engine you should always have the oars available with you so that you were able to reach the shore without outside assistance in case of any damage of the boat.
 <b>WARNING</b>	On your request any outboard engine seller may provide your engine with the emergency stop switch. During navigation the switch should be connected to the wrist of your hand by means of a cord. In case you fall overboard, even if being a steersman, the switch will cut out the engine and the propeller. This arrangement will enable you to avoid any traumas and to reach the boat.
	Take all possible precautions against penetration of fuel, oil or electrolyte from the storage battery into the inflatable boat. If it does happen wash thoroughly the fouled spots with water.



**DANGER**

You should be always sure that the number of people on board never exceeds that specified in the owner's manual or on the builder's plate provided on the transom.

The boat will retain an adequate floatability and will not keel over only provided that the load is arranged reasonably. **Therefore, do not accommodate all passengers on the same side of the boat.**



**DANGER**

All passengers should be accommodated inside the boat. The occupied seats should not be left throughout the entire sailing time.



**DANGER**

All passengers should put on life-saving jackets.

**CHILDREN and non-swimmers MUST WEAR A FLOATATION DEVICE AT ALL TIMES.**

Always check that floatation devices for children are of the right size and that they are operational.



**DANGER**

Arrange the cargo to be carried uniformly inside the boat, all items being reliable secured on the bottom of the boat.




When sailing with an outboard engine the steersman should shift his body forward in the course of acceleration to prevent the boat forebody from raising under the force of upthrust waves.




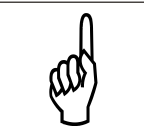
**DANGER**

The boat must be equipped with liferaft(s) to be stowed for the crew limit. If the liferaft is a rigid canister type, it shall be mounted in the cockpit, ready for use. If the liferaft is contained in a soft bag then it may be stowed in a compartment but shall be readily available for use.

Liferaft not supplied by the manufacturer and must be installed by owner.

 <p><b>WARNING</b></p>	<p>Despite the strong shell of the boat we recommend carefully handle and operate with sharp and pricking objects which you have on board . It concerns, for example, a knife blade, fish-hook point, etc.</p>
 <p><b>DANGER</b></p>	<p>Approaching to rocky shores, shoals, moles, etc. , please be careful to avoid damages of your boat. It is strictly prohibited to drag the boat across rough surfaces (shingle, rocks, concrete, etc.).</p> <p>In case of prolonged navigation with the use of an outboard motor, regularly check, that the motor is reliably attached to the boat. If the engine was attached carelessly, the attachment may loosen under the action of vibration.</p>
 <p><b>WARNING</b></p>	<p>Besides, at regular intervals, please check air chambers pressure , since the pressure may vary under the effects of outside air temperature and atmospheric pressure variations.</p> <p>Never forget to monitor regularly the quantity of fuel in the fuel tank. Keep always in mind that the quantity of fuel should be sufficient for you to sail to your final destination.</p>

● Towing

 <p><b>ATTENTION</b></p>	<p>At towing the towing rope length should not be less at least 3 lengths of the boat.</p> <p>The steersman of the towed boat should be assisted by another crew member to monitor the process of towing. In this case, certain communication gestures should be agreed upon beforehand.</p>
 <p><b>WARNING</b></p>	<p>The rope have to be attached to both boats in a manner ensuring its immediately, single-motion release.</p>

- **Damage to one of air chambers**

The inflatable boat is designed to provide an adequate stability in case of the complete damage to one of the air chambers (balloon compartments) at the expense of the remaining air chambers and the hull. Thanks to it, you will be able to reach safely the nearest shore. Reduce the speed and shift your body to the undamaged part of the boat. Observe changes in stability. After that, immediately head for the nearest shore. To prevent penetration of water into the boat, pull the shell of the damaged air chambers upwards.

- **Mooring fast fastening**



Attach towing rope in the bow of the boat to the one of the frontal towing rings. Attach bow mooring ropes to the bow mooring cleats only. Attach rear mooring ropes or the rope of back anchor to the rear mooring cleats only.

- **Danger of currents and wind**



Before begin navigation on the boat, make detail inquiries about local conditions and regulations! Currents, wind, shoals, rising and falling tides, as well as weather variations may imply serious danger!

- **In emergency stay in boat**

In any unexpected situation (engine failure, boat damage, etc.), never leave the boat, if it is still afloat. Even if you believe that the shore is just nearby, stay in the boat, since you will be looked for in this particular place and, most probably, will be found. Should the boat become partially flooded, throw heavy objects (batteries, fuel tank, engine) overboard to ensure additional floatability.

- **Handling under power**



**Manoeuvrability above 30knots (55 km/h) is limited. Sudden turn may cause loss of control. Reduce speed before sharp turn, in either direction.**



**When the boat is fitted with an engine with maximum recommended power it must be use with extreme care.  
This application is directed at experienced users using their boats for very specific purposes.**



Do not operate your boat with an engine of rated power larger than that stated on the builder's plate in the boat.



Do not operate this craft at negative propulsion unit trim settings (bow down) at high speed. Craft may lean over on side. Instability in turns may result. Use negative trim to accelerate to planing speed from displacement speed and at lower planing speeds in choppy water (applicable to craft equipped with propulsion unit power trim).



Do not operate at maximum speed while in congested high traffic waterways or in weather and sea conditions of reduced visibility high winds or large waves. Reduce speed and wake as a courtesy and as a safety consideration to yourself and others. Observe and obey speed limit and no wake zones.



Observe right-of-way as defined by Rules of the Road and required by COLREG.

Always be certain to have sufficient distance to stop or manoeuvre if required to avoid collisions.



● **WARNING SIGNS AND LABELS.**

In accordance with ABYC standards, warning signs and labels are installed on your boat (if applicable).

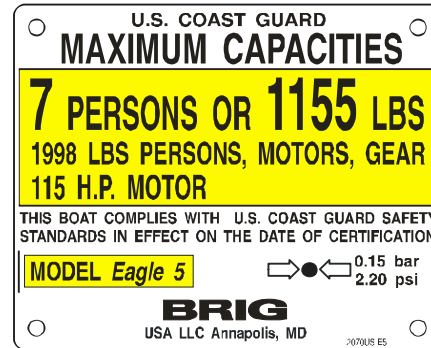
Do not remove warning signs and labels. Always check their suitability.

If the warning signs are damaged and you cannot read the text or symbols, you must order new ones from your dealer.

Check with your dealer for the correct warning signs and labels mounting location.

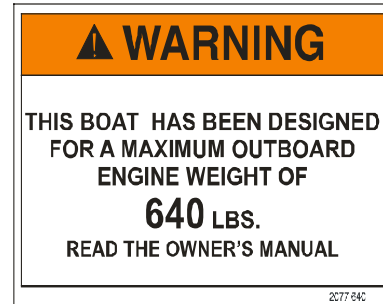
**BOAT CAPACITY LABEL.**

Place of installation: on the hull near the stern seat



**WARNING.MAXIMUMENGINEWEIGHT.**

Place of installation: on the hull of the boat near the outboard engine.



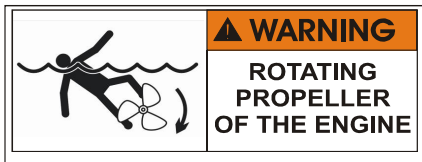
## WARNING. LEAKING FUEL

Place of installation: on the hull near of the fuel filler.



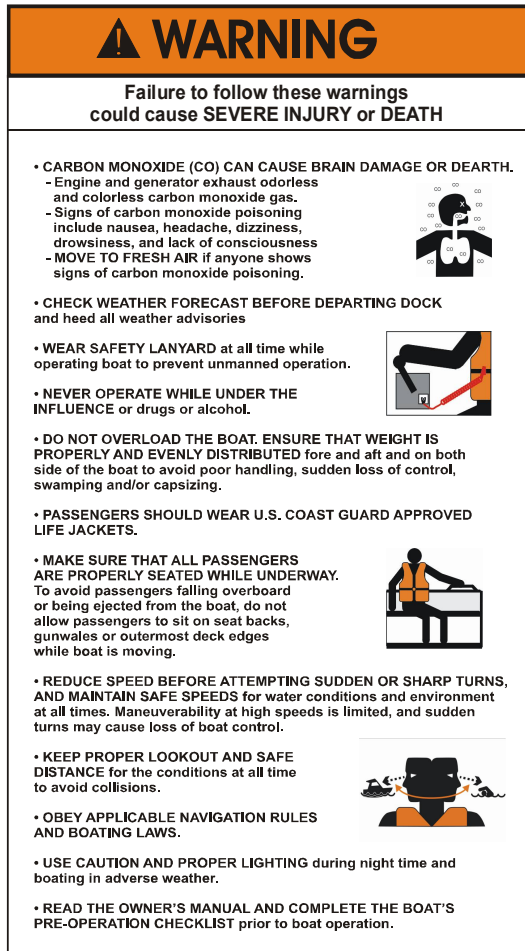
## WARNING. ROTATING PROPELLER

Place of installation: from the outside of the boat transom.




## WARNING. FAILURE TO FOLLOW THESE WARNINGS COULD SEVERE INJURY OR DEATH




Place of installation: on the steering console.



**▲ WARNING**

Failure to follow these warnings  
could cause SEVERE INJURY or DEATH

- CARBON MONOXIDE (CO) CAN CAUSE BRAIN DAMAGE OR DEATH.
  - Engine and generator exhaust odorless and colorless carbon monoxide gas.
  - Signs of carbon monoxide poisoning include nausea, headache, dizziness, drowsiness, and lack of consciousness
  - MOVE TO FRESH AIR if anyone shows signs of carbon monoxide poisoning.
- CHECK WEATHER FORECAST BEFORE DEPARTING DOCK and heed all weather advisories
- WEAR SAFETY LANYARD at all time while operating boat to prevent unmanned operation.
- NEVER OPERATE WHILE UNDER THE INFLUENCE of drugs or alcohol.
- DO NOT OVERLOAD THE BOAT. ENSURE THAT WEIGHT IS PROPERLY AND EVENLY DISTRIBUTED fore and aft and on both side of the boat to avoid poor handling, sudden loss of control, swamping and/or capsizing.
- PASSENGERS SHOULD WEAR U.S. COAST GUARD APPROVED LIFE JACKETS.
- MAKE SURE THAT ALL PASSENGERS ARE PROPERLY SEATED WHILE UNDERWAY. To avoid passengers falling overboard or being ejected from the boat, do not allow passengers to sit on seat backs, gunwales or outermost deck edges while boat is moving.
- REDUCE SPEED BEFORE ATTEMPTING SUDDEN OR SHARP TURNS, AND MAINTAIN SAFE SPEEDS for water conditions and environment at all times. Maneuverability at high speeds is limited, and sudden turns may cause loss of boat control.
- KEEP PROPER LOOKOUT AND SAFE DISTANCE for the conditions at all time to avoid collisions.
- OBEY APPLICABLE NAVIGATION RULES AND BOATING LAWS.
- USE CAUTION AND PROPER LIGHTING during night time and boating in adverse weather.
- READ THE OWNER'S MANUAL AND COMPLETE THE BOAT'S PRE-OPERATION CHECKLIST prior to boat operation.



**NOTE: The inflatable boat was delivered with the following equipment installed:**

1.Fuel tank	Stamp and signature
2.Electric system	Stamp and signature
3.Drain system	Stamp and signature
4.Bilge pump	Stamp and signature
5.Steering system	Stamp and signature
6.Engine power system	Stamp and signature
7.Engine installation, test and completion of plants and fittings done by	Stamp and signature



MODEL

**Eagle 5**

SERIAL No.

**UA-QRK**

Date of manufacture

Quality inspection stamp